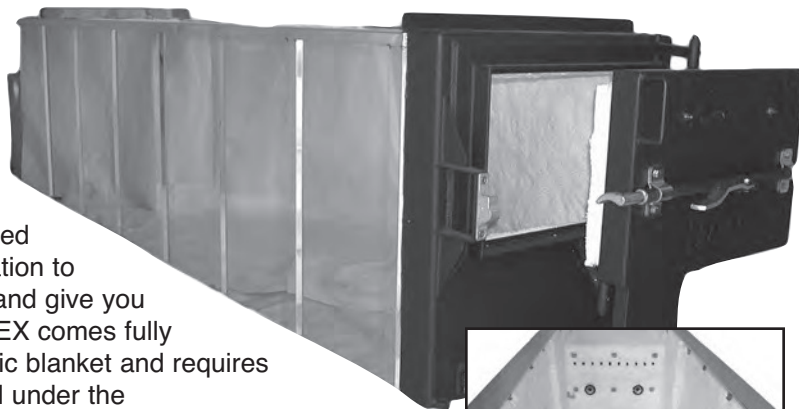


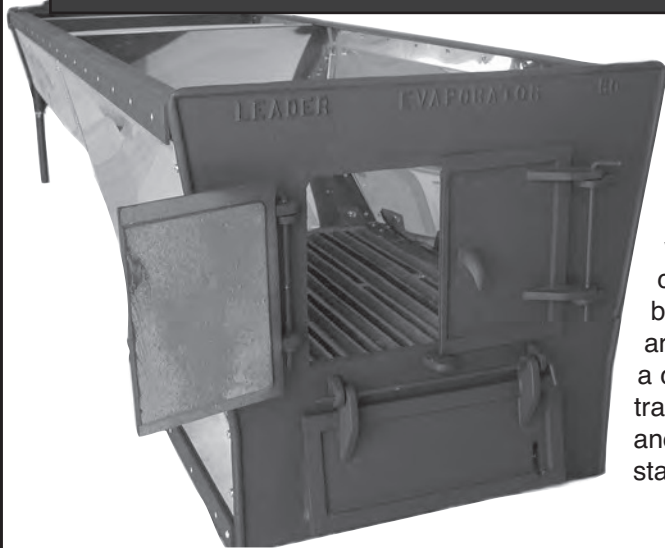
Wood-Fired Arches

VORTEX

The VORTEX wood-fired arch is the newest member of the Leader arch family. Like the Inferno, it offers a fully insulated, air-tight arch for greater efficiency. But the VORTEX goes a step farther by adding a large combustion chamber fueled by primary and secondary air under controlled rotation to optimize your wood, distribute BTUs more evenly and give you maximum heat efficiency to your pans. The VORTEX comes fully insulated with multiple layers of 200 degree ceramic blanket and requires only minimal bricking the combustion chamber and under the smoke stack. A unique step in the back of the arch acts as a spark trap and draft control system.



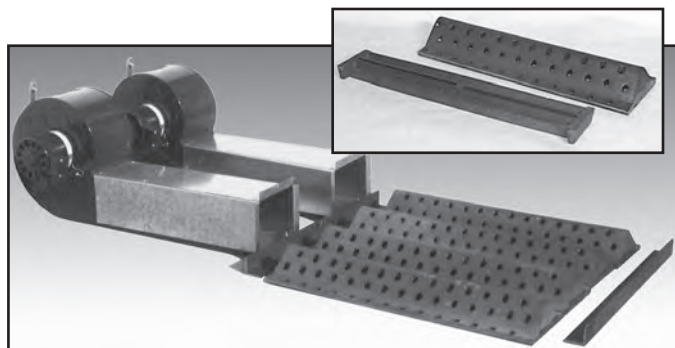
TRADITIONAL WOOD-FIRED ARCH



The traditional Leader wood-fired arch has a heavy-duty cast iron front and back. The front on all sizes has 2 fire doors with a draft door below. Arches 30" and wider have 2 flue cleanout doors in the rear casting, as well. The sides of the arch are sheathed with galvanized sheet metal. Heavy-duty pipe legs, with level adjusting nuts, support the arch rear. The arch comes complete with heavy-duty cast iron fire grates, galvanized stack base and stack (total stack height equals twice the length of the arch). This arch needs to be completely lined with fire brick, or a combination of insulation and brick, to prepare for firing. Our traditional arch can also be ordered for oil firing—fire doors and fire grates excluded. Call us for dimensions on our standard sized arches.

LEADER FORCED DRAFT UNIT

There may not be a more cost effective item in our catalog than this unit! The Leader Forced Draft Unit is a blower that attaches to the back of the ash pit, under the belly of the arch. Air is blown into the ash pit and forced up through holes in the special incinerator grates for complete combustion of your wood. This unit combusts wood more completely, giving you more heat per cord of wood and less ash to clean out. It will increase the BTUs by 10-20%, reduce wood consumption by 30-50% and even out your boiling. It operates on 110 volts and has a rheostat to control fan speed. Simple installation retrofits to any standard wood-fired arch. Use only dry, seasoned wood.



11-0050-24	24" wide evaporator	-----	\$454.00
11-0050-30	30" wide evaporator	-----	1,088.00
11-0050-36	36" wide evaporator	-----	1,457.00
11-0050-40	40" wide evaporator	-----	1,519.00
11-0050-48	48" wide evaporator	-----	1,781.00
11-0050-60	60" wide evaporator	-----	2,473.00
11-0050-72	72" wide evaporator	-----	2,734.00

FORCED DRAFT GRATE

This special incinerator grate is cast with a rounded top and multiple inlet holes for the most efficient air circulation and combustion. Included with the Leader Forced Draft Unit, or available separately.

11-0030-FD	30" Forced Draft Grate	-----	\$199.00
------------	------------------------	-------	----------

(Note: 24" evaporators use the conventional wood-fire grate. All units made for evaporators 30" wide and larger include the special forced-draft incinerator grate.)



Arch Supplies

GRATES FOR WOOD-FIRED ARCHES

LEADER & KING

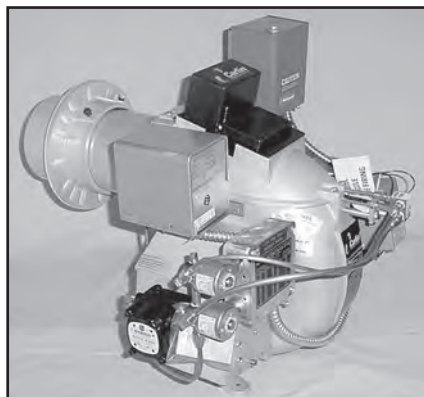
The Leader grate is efficiently designed with a flat top and "V" bottom to be the most durable, most warp resistant grate on the market. This is the grate used in all our current wood fired arches.

11-0025	25"	-----	\$74.00
11-0025	25" half grate	-----	57.00
11-0030	30"	-----	89.00
11-0036	36"	-----	99.00
11-0048	48"	-----	147.00
Leader draft door latch			----- 10.00



CARLIN OIL BURNERS

	Model No.	Firing Rate	Price
10-8102	102 CRD	2-4.5 g.p.h.	\$ 548.00
10-8301	301 CRD	4-7.0 g.p.h.	859.00
10-8601	601 CRD	6-13.2 g.p.h.	1,265.00
10-8701	701 CRD	6-13.2 g.p.h.	1,937.00
10-8801	801 CRD	11.4-19.8 g.p.h.	2,150.00
Nozzles (sized as per application)			\$7.00
42-0090	Stack Thermometer (0-1000°)		\$42.00



FIRING GLOVES

11-99 Firing Gloves \$15.00



FIRE BRICK

Hi-temp fire brick for lining your wood fired arch. The Split is perfect behind block board insulation or ceramic blanket.

11-0001	Fire Brick	4½" x 9" x 2¼"	----- \$1.75
11-0001-H	Split Brick	4½" x 9" x 1¼"	----- 1.70
11-0002-A	Heat Stop Dry (Gallon--10 lbs.)		----- 22.50

CERAMIC INSULATION

PAN GASKET

Ceramic insulation to seal between the syrup and flue pans. All gaskets are 1 in. thick and 4 in. wide.

11-0004-24	4" x 24"	-----	\$5.00
11-0004-30	4" x 30"	-----	5.50
11-0004-36	4" x 36"	-----	6.50
11-0004-40	4" x 40"	-----	7.50
11-0004-48	4" x 48"	-----	8.50
11-0004-60	4" x 60"	-----	10.00
11-0004-72	4" x 72"	-----	11.50



RAIL GASKET

This gasket will seal between the top rail of your arch and your pans. Just lay it on your arch rail and the weight of the pans will hold it in place. Well worth the cost in heat savings!

11-0003	Ceramic Rail Gasket —½" x 2" x 50' roll	--- \$35.00
11-0003-W	Woven Rail Gasket —¼" x 1½" x 50' roll	--- 54.00

ARCH INSULATION

These high temperature insulations will greatly reduce heat loss from your evaporator. Be sure to protect the insulation with fire brick in all wood-fired arches.

Block Insulation Board

11-0005	1" x 12" x 36" (1900°)	-----	\$ 3.00 / sq. ft.
16 Boards (48 sq. ft.)			----- -132.00 / cs.

Blanket Insulation

11-0004	1" x 24" (2300°)	-----	\$ 3.75 / sq. ft.
50 sq. ft. roll			----- -175.00 / roll

Blanket Insulation

11-0004-H	1" x 24" (2600°)	-----	\$ 5.25 / sq.ft.
50 sq. ft. roll			----- 250.00 / roll

S / S Pins and Washers (3")		-----	1.00 / set
KaoLock Stud and Washer (Heavy Duty)		---	1.34 / set
Rope Gasket ¾" (Inferno door seal))		-----	8.50 / ft.

